

TWE-19000

LIGHT-DUTY STUD GUN

OPERATIONS MANUAL



THE TWE 19000 HAS BEEN DESIGNED TO FIT COMFORTABLY FOR ALL HANDS, INCLUDING WHEN WEARING A WORK GLOVE. THE NECK OF THE HANDLE HAS BEEN TAPERED SO THAT WHEN GRASPED, THE TRIGGER CAN BE ACCESSED EASILY, WITHOUT ANY UNNECESSARY STRAIN. THE HANDLE LENGTH ALLOWS FOR BETTER BALANCE OF THE STUD GUN AND IT KEEPS THE WELDING CABLE AND CONNECTOR AWAY FROM YOUR HAND, MINIMIZING OPERATOR FATIGUE.

TRU WELD

460 LAKE ROAD

MEDINA, OHIO 44256

(800) 321-5588 PHONE

TRUWELD@TFPCORP.COM

TRUWELDSTUDWELDING.COM



TRU-WELD EQUIPMENT LIMITED WARRANTY

All goods produced by Tru-Weld Equipment shall be warranted against defects including workmanship and components. No other warranties whether expressed, verbal, or implied will apply. Warranties only apply to the original equipment purchaser.

Warranty claims will be limited to either repair or replacement of the defective materials by Tru-Weld Equipment. At the option of Tru-Weld Equipment the location of where the warranty evaluation and repairs are made will be determined. All warranty claim items returned to Truweld Equipment or sent to customer by Truweld Equipment will be at the customer's expense. At the option of Tru-Weld Equipment the defect will either be repaired or replaced. Notice must be provided to Tru-Weld Equipment of a warranty defect within 30 days that the defect or failure is incurred. Warranties are not transferable.

This warranty does not apply for equipment which is used improperly in any fashion including but not exclusive to the following:

- Equipment which has been modified.
- Equipment which has not been installed properly.
- Equipment which has been used for purposes other than which it had been designed.
- Equipment which has not been properly maintained.
- Equipment which was continued to be used after a defect had been found.
- Equipment which was damaged in any way.

Tru-Weld Equipment will not be liable for consequential damages, loss, or expense occurring directly or indirectly from the use of the equipment covered in this warranty.

All cables, cable sets and connectors are not warranted.

Two (2) year warranty period from date of purchase

- SC3402 Power Supply
- SC3400 Power Supply
- SC2402 Power Supply
- SC2400 Power Supply
- SC1950 Power Supply
- SC1900 Power Supply
- SC1650 Power Supply
- SC1600 Power Supply
- SC1450 Power Supply
- SC1400 Power Supply
- SC900 Power Supply
- TWE250 Power Supply
- TWE321 Power Supply
- TWE375 Power Supply

One (1) year warranty period from date of purchase

- TWESPC Power Supplies
- TWP-2 Power Supply

Ninety Day warranty period from date of purchase

(Excluding cables and connectors)

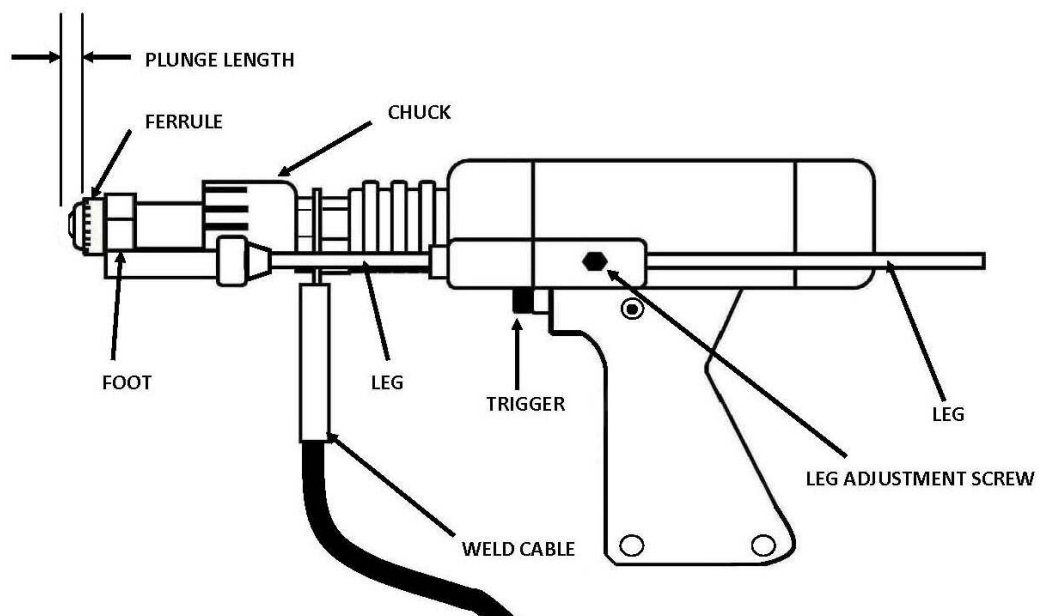
- TWE17000 HD Arc stud gun
- TWE18500 MD Arc stud gun
- TWE19000 LD Arc stud gun
- TWEG CD stud gun
- TWEHDG Heavy Duty CD stud gun

TWE-19000

STUD GUN SET-UP

Each stud welding application requires that the stud gun be set up properly for the correct stud and ferrule arrangement.

- ◆ Select the correct style and size of chuck for the stud to be welded and attach it to the stud gun.
- ◆ Select the proper length leg assemblies for the length of the stud.
- ◆ Select the proper foot piece best suited for your application.
- ◆ Select the grip to fit the ferrule which is provided with the stud to be welded.



TRU-WELD ARC STUD GUN

** Specifications are subject to change without prior notification.

TWE-19000

LIFT ADJUSTMENT

Setting the lift when all of the accessories and stud have been properly set on the stud gun, prior to welding, plug the control connector of the stud gun directly into the stud welder (do not attach the weld cable). Turn on the stud welder and actuate the trigger of the stud gun with the stud and ferrule in place. Note the retraction of the shaft of the stud gun. This is designated as the Lift.

The lift setting should be about $3/32$ " for general welding applications and studs ranging in diameter through $3/4$ " this adjustment should be suitable. For larger diameter studs and select applications the lift should be adjusted to approximately $1/8$ ".

Adjusting the lift:

- Remove the back cap of the stud gun.

- Loosen the two socket set screws around the periphery of the lift adjustment screw.

- To increase lift rotate the lift adjustment screw counter clockwise and to decrease lift rotate clockwise.

- With each turn check the lift by actuating the stud gun until the desired lift is achieved.

- Tighten the socket set screws to hold the lift adjustment screw in place to secure the selected setting.

- Replace the back cap of the stud gun.

TWE-19000

PLUNGE RATE ADJUSTMENT

This adjustment is used to control the rate of speed the stud plunges into the molten pool after the arc has been drawn.

Free travel adjustment: This adjustment can be used to control the force with which the stud is plunged into the molten weld pool by moving the engagement point of when the shaft of the stud gun engages the dampener.

Both of these adjustments are located at the front of the stud gun under the bellow of the stud gun shaft.

The outer adjustment knob can be turned to adjust the plunge rate; clockwise to decrease the rate of plunge and counter clockwise to increase it.

The dampener sleeve behind can be turned to adjust free travel by rotating it counter clockwise. Two turns should be the maximum amount of adjustment. Before electing to set the free travel, adjust the plunge rate to see if the desired effect is achieved.

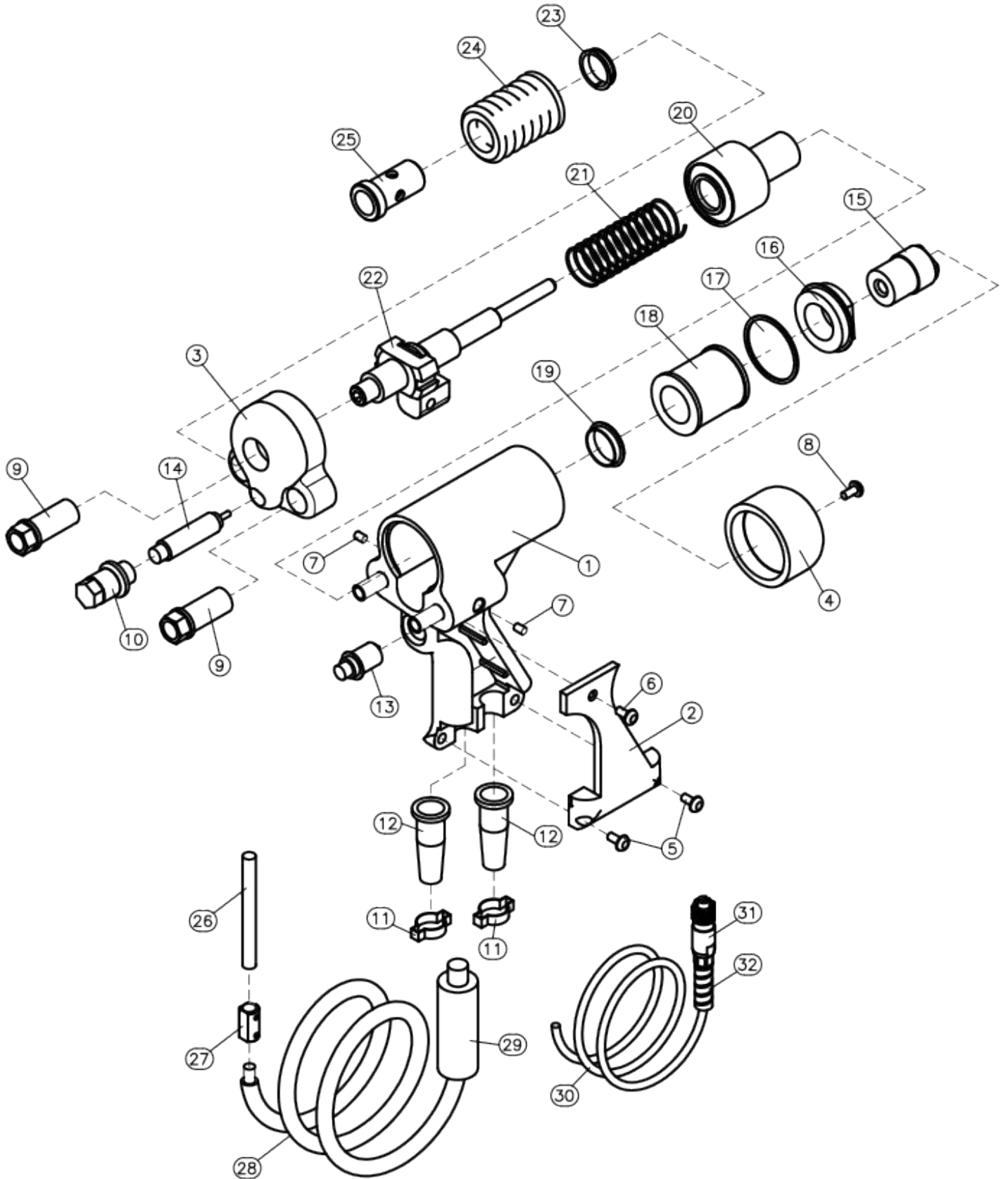


TWE-19000

Attaching the stud gun to begin welding:

- ◆ Always select the desired of weld and control cable extension that is recommended for the stud welder selected.
- ◆ Attach the stud gun weld and control cable to the end of the cable extension.
- ◆ Actuate the stud gun without placing it on the surface to be welded to assure that the connection through the control cable is correct to complete the circuit and actuate the stud gun.
- ◆ Make certain the stud welder is set up properly for beginning the welding procedure selected.
- ◆ Place the selected stud into the chuck and attach the ferrule to the ferrule grip.
- ◆ Place the stud onto the surface to be welded and press the stud gun down until the ferrule is flush with the welding surface.
- ◆ Trigger the stud gun and hold it in place until the cycle of the stud welding is complete.
- ◆ Pull straight up off the stud without flexing the stud gun back and forth.
- ◆ DO NOT depress the trigger of the stud gun again when removing the stud gun from the welded stud.
- ◆ Remove the ferrule by breaking it off and examine the weld.
- ◆ Make proper adjustments if required.

TWE-19000



TWE-19000

ITEM	QTY	PART NUMBER	PART DESCRIPTION
1	1	TWE17004	GUN BODY
2	1	TWE17005	HANDLE COVER
3	1	TWE17006	SHORT FRONT CAP
4	1	TWE17007	REAR CAP
5	1	TWE17019	HANDLE COVER LONG SCREW
6	1	TWE17020	HANDLE COVER SHORT SCREW
7	2	TWE17017	LEG SET SCREW
8	1	TWE05429	REAR CAP SCREW
9	2	TWE09675LD	END CAP NUT / LEG HOLDER
10	1	TWE09662MD	DAMPENER COVER
11	2	TWE13039	CLIP
12	2	TWE01095	STRAIN RELIEF
13	1	TWE17010	SWITCH
14	1	TWE18501	PLUNGE DAMPENER
15	1	TWE09659	LIFT ADJUSTMENT SCREW
16	1	TWE09660	LIFT ADJUSTMENT INSERT
17	1	TWE17009	WAVE WASHER
18	1	TWE17013	GUN COIL
19	1	TWE09664-1	COIL GUIDE BEARING
20	1	TWE09647	LIFT MODULE ASSEMBLY
21	1	TWE09669M	MD/LD MAIN COMPRESSION SPRING
22	1	TWE17023LD	LD LIFT ROD ASSEMBLY
23	1	TWE17014	SHAFT BEARING
24	1	TWE09673	BELLOWS
25	1	033-505LD	TAPERED CHUCK ADAPTER
26	1	TWE01096	BRAIDED CABLE PIGTAIL
27	1	TWE19002	LD CABLE INTERCONNECT
28	8	TWE18503	#1 WELD CABLE WHIP
29	1	107-0010B	MALE CAM
30	8.5	TWE07732	CONTROL CABLE WHIP AS
31	1	TWE16102	MALE PHOENIX
32	1	TWE01094	PHOENIX STRAIN RELIEF

TRU-WELD

**460 LAKE ROAD
MEDINA, OHIO 44256
(800) 321-5588 PHONE**

TRUWELD@TFPCORP.COM

TRUWELDSTUDWELDING.COM



MADE IN THE USA