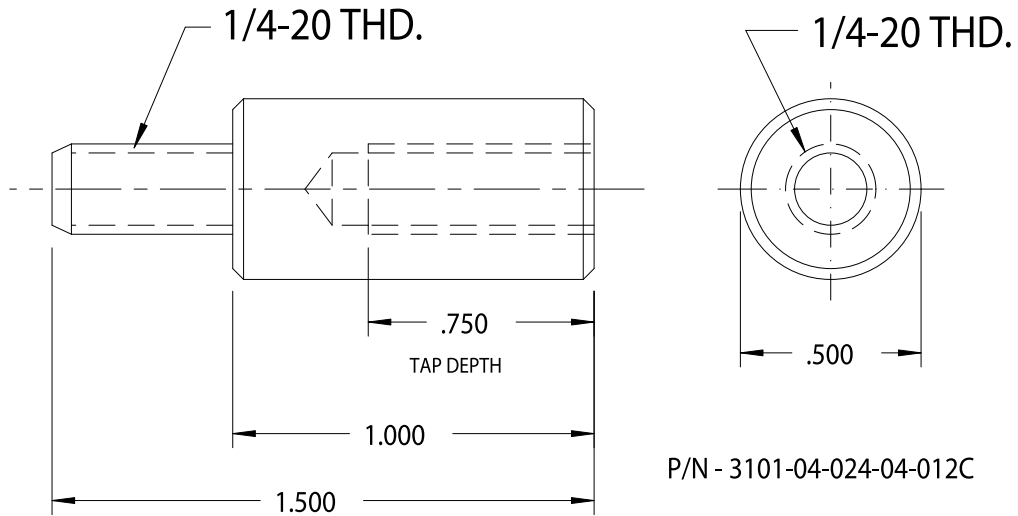




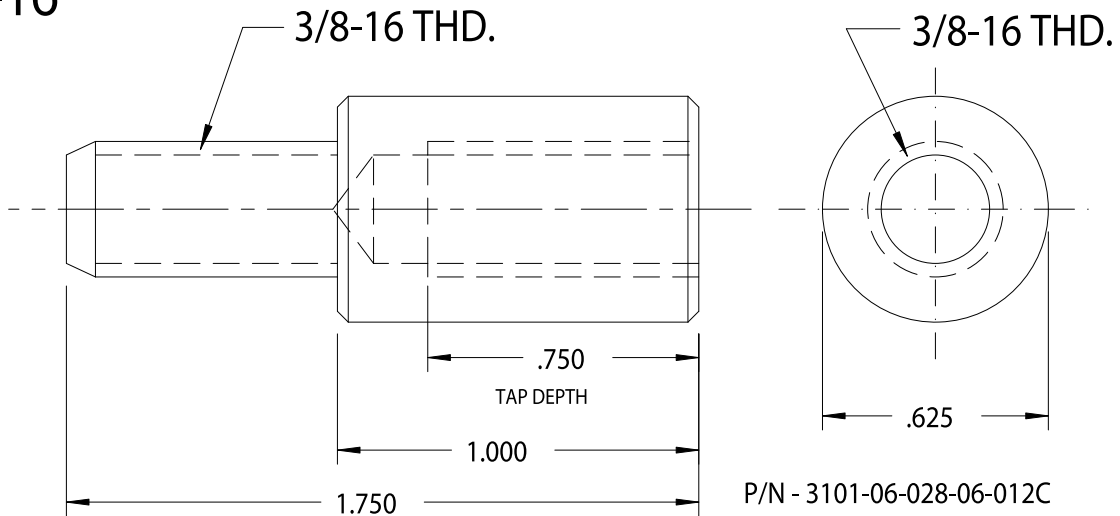
TRU-WELD Stud Welding

STACK STUDS

1/4-20



3/8-16



MILD STEEL / STAINLESS STEEL / ALUMINUM

MATERIAL CODE - 1

MATERIAL CODE - 1, 4 OR 6

MATERIAL CODE - 3